

LONKING 龙工

Efficiency Rules the Future

CDM6150/6150E HYDRAULIC EXCAVATOR

Excellent Computer Monitoring System

CUMMINS Strong Power Engine

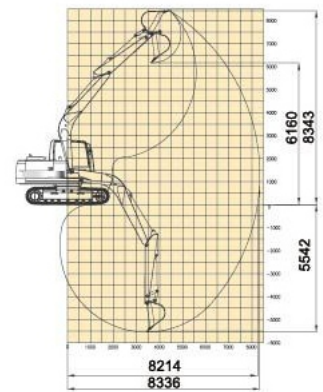
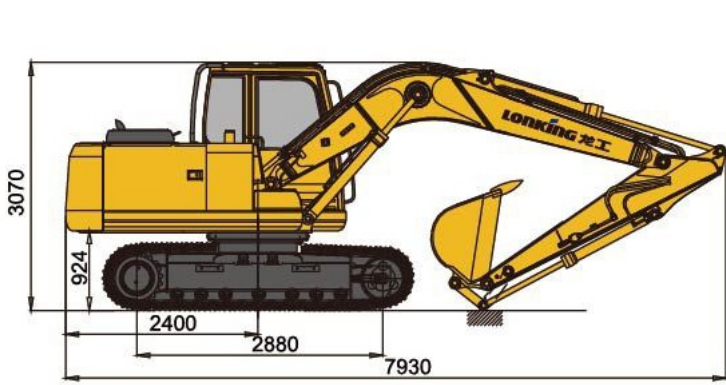
Advanced Hydraulic System

Safe and Comfortable Cabin

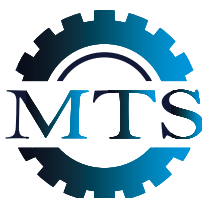
Easy Maintenance



- OPERATING WEIGHT: 14000kg
- ENGINE POWER: 86kW (Euro II)/90kW (Euro IIIA)
- BUCKET CAPACITY: 0.56m³
- TRAVEL SPEED: 3.34/5.5km/h



Specifications		CDM6150	CDM6150E
Operating Weight	Summary	Operating weight: 14000kg The operating weight includes the weight of 4600mm boom, 2500mm standard arm, 0.56m ³ bucket, 500mm track shoes, lubricating oil, coolant, the full diesel oil tank and the rest standard configuration units.	
	Ground pressure	45 kPa	
Bucket Capacity	Standard	0.56 m ³	
	Option range	0.25-0.75 m ³	
Engine	Model	Cummins 4BTAA3.9-C (Euro II)	Cummins QSB4.5 (Euro IIIA)
	Rated power	86 kW (117hp) /2200 rpm	90 kW (122hp) /2000 rpm
	Max. torque	424 N.m/1600 rpm	489 N.m/1500 rpm
	Displacement	3.9 L	4.5 L
Hydraulic System	Main pump	Axial variable piston pump	
	Max. flow of system	120×2 L/min	
	Max. pressure of Implements	34.3 MPa	
	Max. pilot pressure	3.9 MPa	
	Swing motor	Piston Type (with safety valve and closed type brake)	
	Swing speed	11.9 rpm	
	Travel motor	Piston Type (with safety valve and closed type brake)	
	Travel speed	3.34/5.5 km/h	
	Gradeability	35°(70%)	
	Max. traction	113 kN	
	Max. arm digging force	75 kN	
	Max. bucket digging force	116 kN	
Fluid Capacity	Fuel tank	270 L	
	Hydraulic oil tank	159 L	
Undercarriage	Standard track shoes width	500 mm	
	No. of track shoes	43 (each side)	
	No. of carrier rollers	2 (each side)	
	No. of track rollers	7 (each side)	
Electrical System	System voltage	24 V	
	Battery capacity	12 V, 120 Ah×2	
Optional Equipments		600mm and 700mm width triple grouser shoes Hydraulic hammer and pipeline Quick-change coupler pipeline Bidirectional auxiliary pipeline	Anti-explosion valve Track rubber block



MITRA TEKNINDO SEJATI

Jakarta
Galeri Niaga Mediterania 1
Jl. Pantai Indah Utara II Blok. X3 No. G8A-8B
Pantai Indah Kapuk - Jakarta Utara
Telp. 021 52393819

Tangerang I
Kawasan Industri Milenium Blok P2 No. 3
Jl. Penda Tigaraksa, Sukamulya,
Cikupa, Tangerang - Banten
Telp. 021 59645008

Tangerang II
Kawasan Bizlink Citra Raya Blok O 08/20
Jl. Penda Tigaraksa, Sukamulya
Cikupa, Tangerang - Banten

Bantaeng
Jl. Dusun Mawang, Desa Papanloe,
Pajukukang, Bantaeng Regency
Sulawesi Selatan

Surabaya
Jl. Raya Gilang 8, Gilang, Kec. Taman, Sidoarjo -
Jawa Timur 61257
Telp. 031 99794078

Makassar
Jl. Ir. Sutami, Pertamina (Pengisian Gas Elpiji)
PT. Pergudangan Permata Alam Blok B No. 10
Makassar - Sulawesi Selatan
Telp 04118037636

Samarinda
Jl. Ampera Pergudangan Mangkupalas Bisnis
Center Blok D20 Simpang Pasir
Palaran, Samarinda - Kalimantan Timur